

CUSTOM MANIFOLDS

NEW

Fuel & Water System Flow Management Manifolds

Keenan manifolds offer you a simple way to control the flow of your fuel or water systems. Our standard models are manufactured from 6061 black anodized aluminum, and utilize high-quality, marine grade valves to ensure reliable operation in even the harshest of environments. We can also create custom designed versions using up to 10 valves out of material aluminum, stainless steel or brass.

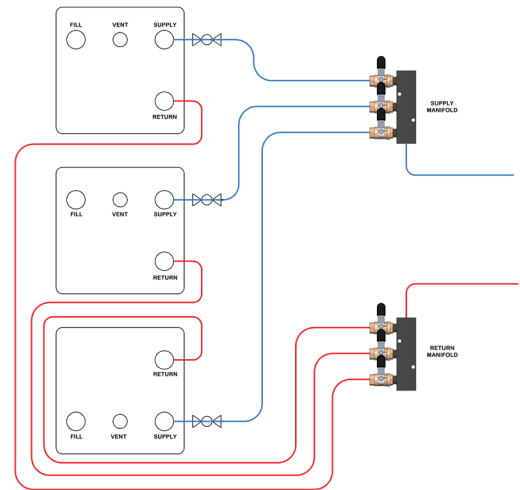


Standard Features:

- Marine grade 6061 black anodized aluminum bodies
- Standard two, three and four valves models in-stock
- High quality, marine grade materials
- For use with fuel or water or other fluids
- Large high visibility yellow valve handles
- Extra strong 3/8" inlet & 1/2" outlet NPT threading
- Custom aluminum, stainless steel or brass manifolds available with sizes and valve configurations with up to 1 1/2" full port openings and 10 valves.

Part#	Description
Man3752-A	2-valve black anodized manifold
Man3753-A	3-valve black anodized manifold
Man3754-A	4-valve black anodized manifold

Call to order custom manifold configurations



Example Manifold Flow System

Is Your Fuel Keenan Clean?

KEENAN FILTERS®
By KTI Systems, Inc.

Please Contact Us With Any Fuel Questions
800.336.0315 | Order Online at: www.keenanystems.com
Made in the USA